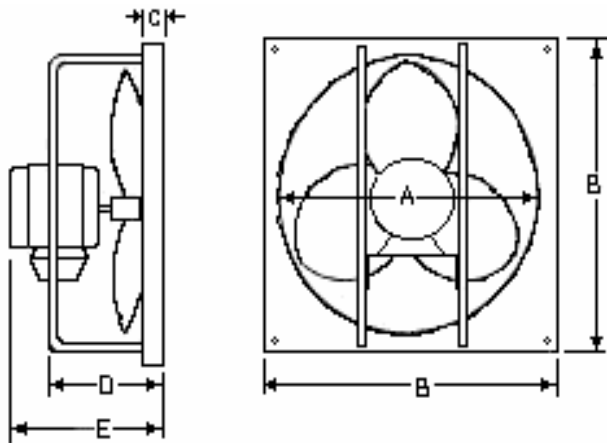


APPROVAL SHEET

A & C SERIES PANEL FAN

PAGE A1



MODEL	SIZE	A	B	C	D	E
A	12	13	14.75	1.5	9.75	13
A	14	15	16.75	1.5	9.75	13
A	16	17	18.75	1.5	9.75	13
A	18	19	20.75	1.5	9.75	13.5
A	20	21	22.75	1.5	9.75	13.5
A	24	25	26.75	1.5	9.75	15
A	26	27	28.75	1.5	9.75	15
C	10	11	13	1	4.25	4.75
C	12	13	15	1	4.75	5.25

ACCESSORIES

AS - AUTOMATIC SHUTTER
MS - MOTORIZED SHUTTER
RG - REAR GUARD
FG - FRONT GUARD

ARG - ALL AROUND GUARD
WH- WEATHER HOOD
P- PENTHOUSE (ROOF ENCLOSURE)

PROJECT:	LOCATION:
DATE:	ARCHITECT:
CONTRACTOR:	SUBMITTED BY: ENGINEER:

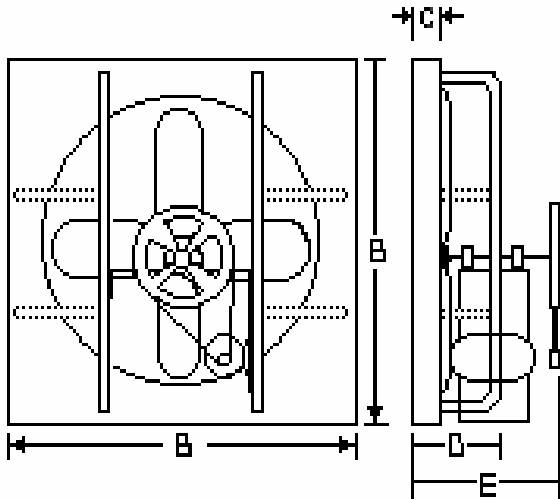
FAN #	MODEL #	# REQ.	CFM	SP	FAN RPM	MOTOR HP	VOLTS/PH/HZ	OPTIONAL EQUIPMENT

DIMENSIONS SHOULD NOT BE USED FOR CONSTRUCTION UNLESS CERTIFIED.
MANUFACTURER MAY MAKE IMPROVEMENTS CHANGES WITHOUT NOTICE

APPROVAL SHEET

B SERIES PANEL FAN

PAGE A2



MODEL	SIZE	A	B	C	D	E
B	24	25	26.75	1.5	11.25	17.5
B	30	31	32.75	1.5	11.25	17.5
B	36	37	38.75	1.5	12	18.5
B	42	43	44.75	1.5	13.5	20
B	48	49	50.75	1.5	14	22

ACCESSORIES

AS - AUTOMATIC SHUTTER
MS - MOTORIZED SHUTTER
RG - REAR GUARD
FG - FRONT GUARD

ARG - ALL AROUND GUARD
WH- WEATHER HOOD
P- PENTHOUSE (ROOF ENCLOSURE)

PROJECT:	LOCATION:	
DATE:	ARCHITECT:	
CONTRACTOR:	SUBMITTED BY:	ENGINEER:

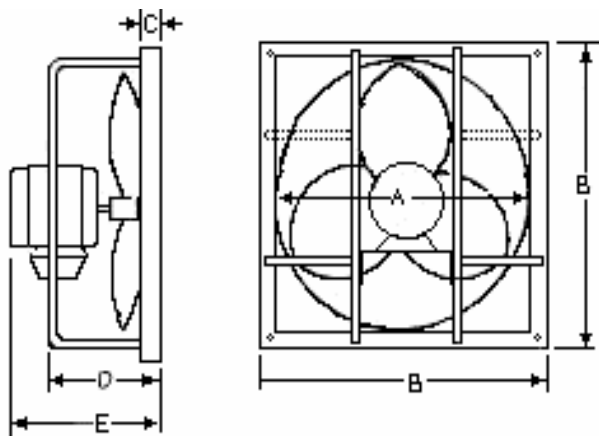
FAN #	MODEL #	# REQ.	CFM	SP	FAN RPM	MOTOR HP	VOLTS/PH/HZ	OPTIONAL EQUIPMENT

DIMENSIONS SHOULD NOT BE USED FOR CONSTRUCTION UNLESS CERTIFIED.
MANUFACTURER MAY MAKE IMPROVEMENTS CHANGES WITHOUT NOTICE

APPROVAL SHEET

D SERIES PANEL FAN

PAGE A3



MODEL	SIZE	A	B	C	D	E
D	24	25	29	2	8.5	*
D	30	31	35	2	8.5	*
D	36	37	41	2	10.5	*
D	42	43	47	2	*	*

* DIMENSION CHANGES DO TO MOTOR BEING USED
CONTACT FACTORY FOR DIMENSION

ACCESSORIES

AS - AUTOMATIC SHUTTER
MS - MOTORIZED SHUTTER
RG - REAR GUARD
FG - FRONT GUARD

ARG - ALL AROUND GUARD
WH- WEATHER HOOD
P- PENTHOUSE (ROOF ENCLOSURE)

PROJECT:	LOCATION:	
DATE:	ARCHITECT:	
CONTRACTOR:	SUBMITTED BY:	ENGINEER:

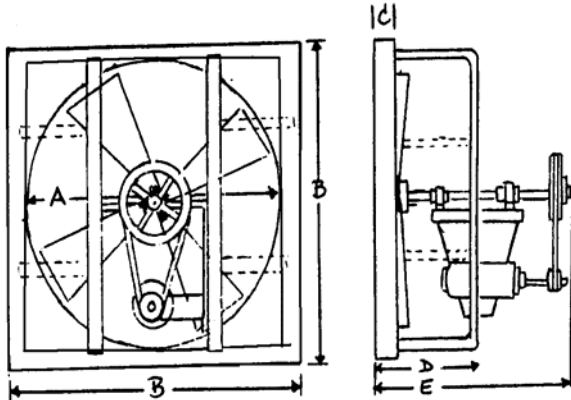
FAN #	MODEL #	# REQ.	CFM	SP	FAN RPM	MOTOR HP	VOLTS/PH/HZ	OPTIONAL EQUIPMENT

DIMENSIONS SHOULD NOT BE USED FOR CONSTRUCTION UNLESS CERTIFIED.
MANUFACTURER MAY MAKE IMPROVEMENTS CHANGES WITHOUT NOTICE

APPROVAL SHEET

H SERIES PANEL FAN

PAGE A4



MODEL	SIZE	A	B	C	D	E
H	24	25	29	2	9	18
H	30	31	35	2	9	18
H	36	37	41	2	11	18
H	42	43	47	2	11	19
H	48	49	52	2	*	*
H	56	57	61	2	*	*
H	60	61	65	2	*	*

* DIMENSION CHANGES DO TO MOTOR BEING USED
CONTACT FACTORY FOR DIMENSION

ACCESSORIES

AS - AUTOMATIC SHUTTER
MS - MOTORIZED SHUTTER
RG - REAR GUARD
FG - FRONT GUARD

ARG - ALL AROUND GUARD
WH- WEATHER HOOD
P- PENTHOUSE (ROOF ENCLOSURE)

PROJECT:	LOCATION:	
DATE:	ARCHITECT:	
CONTRACTOR:	SUBMITTED BY:	ENGINEER:

FAN #	MODEL #	# REQ.	CFM	SP	FAN RPM	MOTOR HP	VOLTS/PH/HZ	OPTIONAL EQUIPMENT

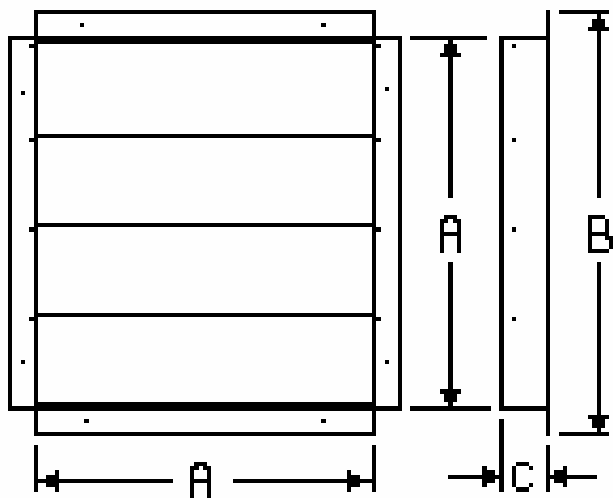
DIMENSIONS SHOULD NOT BE USED FOR CONSTRUCTION UNLESS CERTIFIED.
MANUFACTURER MAY MAKE IMPROVEMENTS CHANGES WITHOUT NOTICE

APPROVAL SHEET

AUTOMATIC SHUTTERS

PAGE A5

10" TO 24"



MODEL	SIZE	A	B	C
10AS	10	11	13	2
12AS	12	13	15	2
14AS	14	15	17	2
16AS	16	17	19	2
18AS	18	19	21	2
20AS	20	21	23	2
24AS	24	25	25	3

ACCESSORIES

FG - FRONT GUARD
MS - MOTORIZED SHUTTER
RG - REAR GUARD

ARG - ALL AROUND GUARD
WH- WEATHER HOOD
P- PENTHOUSE (ROOF ENCLOSURE)

PROJECT:	LOCATION:	
DATE:	ARCHITECT:	
CONTRACTOR:	SUBMITTED BY:	ENGINEER:

FAN #	MODEL #	# REQ.	CFM	SP	FAN RPM	MOTOR HP	VOLTS/PH/HZ	OPTIONAL EQUIPMENT

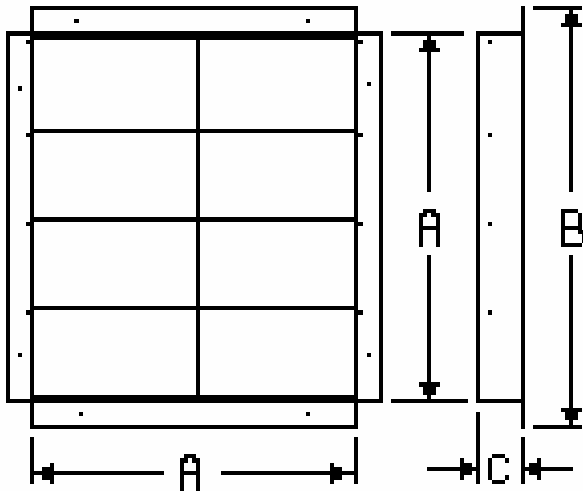
DIMENSIONS SHOULD NOT BE USED FOR CONSTRUCTION UNLESS CERTIFIED.
MANUFACTURER MAY MAKE IMPROVEMENTS CHANGES WITHOUT NOTICE

APPROVAL SHEET

AUTOMATIC SHUTTERS

PAGE A6

30" TO 60"



MODEL	BLADES	A	B	C
30AS	6	31	33	4
36AS	7	37	39	4
42AS	9	43	45	5
48AS	10	49	51	5
56AS	18	57	59	5
60AS	20	61	63	5

ACCESSORIES

FG - FRONT GUARD
MS - MOTORIZED SHUTTER
RG - REAR GUARD

ARG - ALL AROUND GUARD
WH- WEATHER HOOD
P- PENTHOUSE (ROOF ENCLOSURE)

PROJECT:	LOCATION:	
DATE:	ARCHITECT:	
CONTRACTOR:	SUBMITTED BY:	ENGINEER:

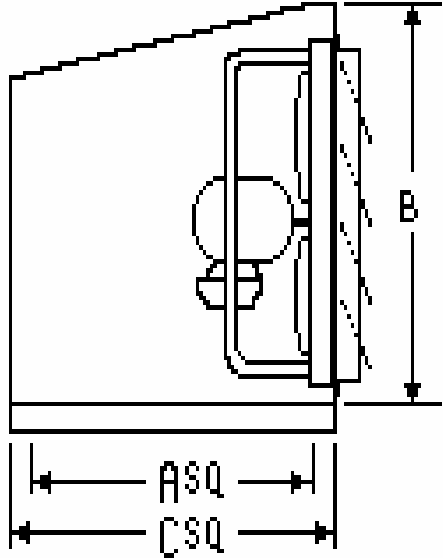
FAN #	MODEL #	# REQ.	CFM	SP	FAN RPM	MOTOR HP	VOLTS/PH/HZ	OPTIONAL EQUIPMENT

DIMENSIONS SHOULD NOT BE USED FOR CONSTRUCTION UNLESS CERTIFIED.
MANUFACTURER MAY MAKE IMPROVEMENTS CHANGES WITHOUT NOTICE

APPROVAL SHEET

LECO ROOF EXHAUSTERS

PAGE A7



MODEL	SIZE	A	B	C	D
PC	10	13	18	16	14
PC	12	15	20	18	15
PA	12	15	20	18	15
PA	14	17	22	20	17
PA	16	17	22	20	17
PA	18	19	24	22	18
PA	20	21	26	24	20
PA	24	27	32	30	24

FEATURES

- DIRECT DRIVE FAN
- AUTOMATIC SHUTTER OR WEATHER HOOD
- HEAVY DUTY MODELS AVAILABLE
- ROOF REMOVABLE FOR INSTALLATION / MAINTENANCE

PROJECT:	LOCATION:	
DATE:	ARCHITECT:	
CONTRACTOR:	SUBMITTED BY:	ENGINEER:

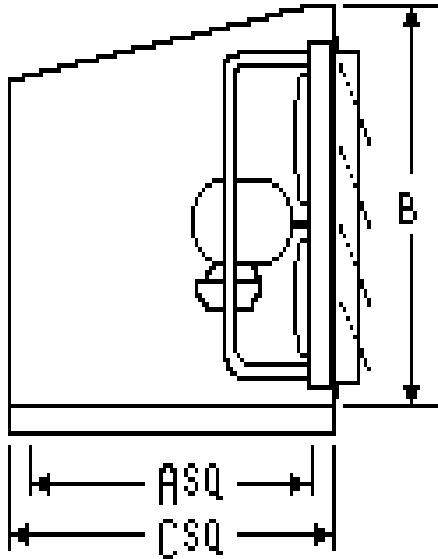
FAN #	MODEL #	# REQ.	CFM	SP	FAN RPM	MOTOR HP	VOLTS/PH/HZ	OPTIONAL EQUIPMENT

DIMENSIONS SHOULD NOT BE USED FOR CONSTRUCTION UNLESS CERTIFIED.
MANUFACTURER MAY MAKE IMPROVEMENTS CHANGES WITHOUT NOTICE

APPROVAL SHEET

LECO ROOF EXHAUSTERS

PAGE A8



MODEL	SIZE	A	B	C	D
PB	24	27	32	30	14
PB	30	33	38	36	28
PB	36	39	44	42	32
PB	42	45	50	48	36
PB	48	51	56	54	40

FEATURES

- BELT DRIVE FAN
- AUTOMATIC SHUTTER OR WEATHER HOOD
- HEAVY DUTY MODELS AVAILABLE
- ROOF REMOVABLE FOR INSTALLATION / MAINTENANCE

PROJECT:	LOCATION:	
DATE:	ARCHITECT:	
CONTRACTOR:	SUBMITTED BY:	ENGINEER:

FAN #	MODEL #	# REQ.	CFM	SP	FAN RPM	MOTOR HP	VOLTS/PH/HZ	OPTIONAL EQUIPMENT

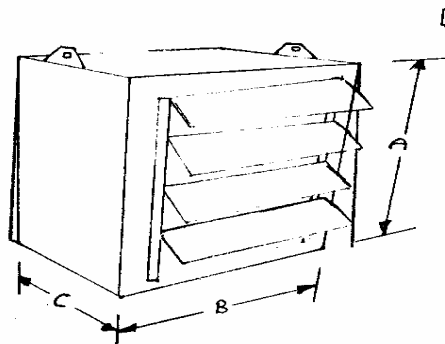
DIMENSIONS SHOULD NOT BE USED FOR CONSTRUCTION UNLESS CERTIFIED.
MANUFACTURER MAY MAKE IMPROVEMENTS CHANGES WITHOUT NOTICE

APPROVAL SHEET

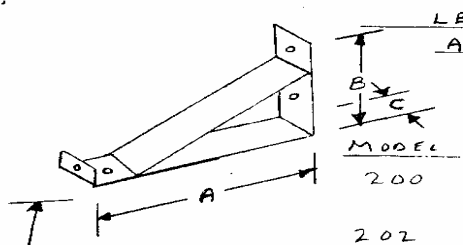
ELECTRIC UNIT HEATERS

PAGE A9

3 K.W. TO 30 K.W.



MODEL	K.W.	A	B	C
200	3-10	31	33	4
202	15-30	37	39	4
COMBO	3-30	43	45	5



OPTIONS

THERMOSTATE
FAN SWITCH
24 V CONTROL
SOLID STATE RELAY

CUSTOM DUCT HEATES

PROJECT:	LOCATION:	
DATE:	ARCHITECT:	
CONTRACTOR:	SUBMITTED BY:	ENGINEER:

HEATER#	MODEL #	# REQ.	KW	VOLTS/PH/HZ	OPTIONAL EQUIPMENT

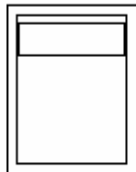
DIMENSIONS SHOULD NOT BE USED FOR CONSTRUCTION UNLESS CERTIFIED.
MANUFACTURER MAY MAKE IMPROVEMENTS CHANGES WITHOUT NOTICE

APPROVAL SHEET

ELECTRIC UNIT HEATERS

PAGE A9

3 K.W. TO 30 K.W.



MODEL	K.W.	A	B	C
200	3-10	31	33	4
202	15-30	37	39	4
COMBO	3-30	43	45	5

OPTIONS

THERMOSTAT
FAN SWITCH
24 V CONTROL
SOLID STATE RELAY

CUSTOM DUCT HEATERS

PROJECT:	LOCATION:	
DATE:	ARCHITECT:	
CONTRACTOR:	SUBMITTED BY:	ENGINEER:

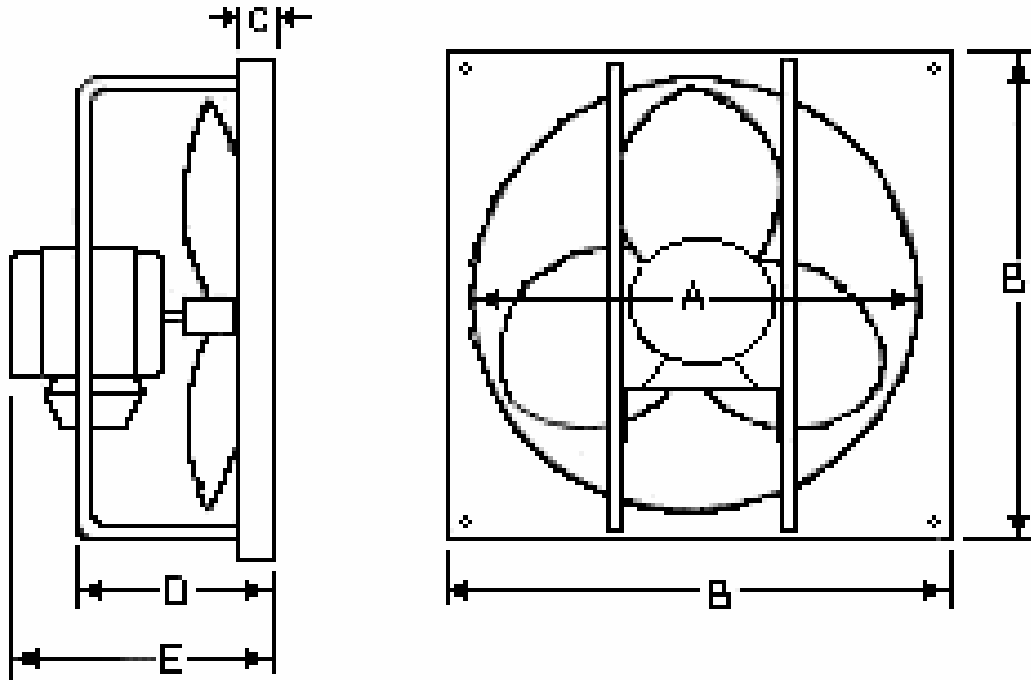
HEATER#	MODEL #	# REQ.	KW	VOLTS/PH/HZ	OPTIONAL EQUIPMENT

DIMENSIONS SHOULD NOT BE USED FOR CONSTRUCTION UNLESS CERTIFIED.
MANUFACTURER MAY MAKE IMPROVEMENTS CHANGES WITHOUT NOTICE

DIMENSIONS

A & C SERIES PANEL FAN

PAGE D1



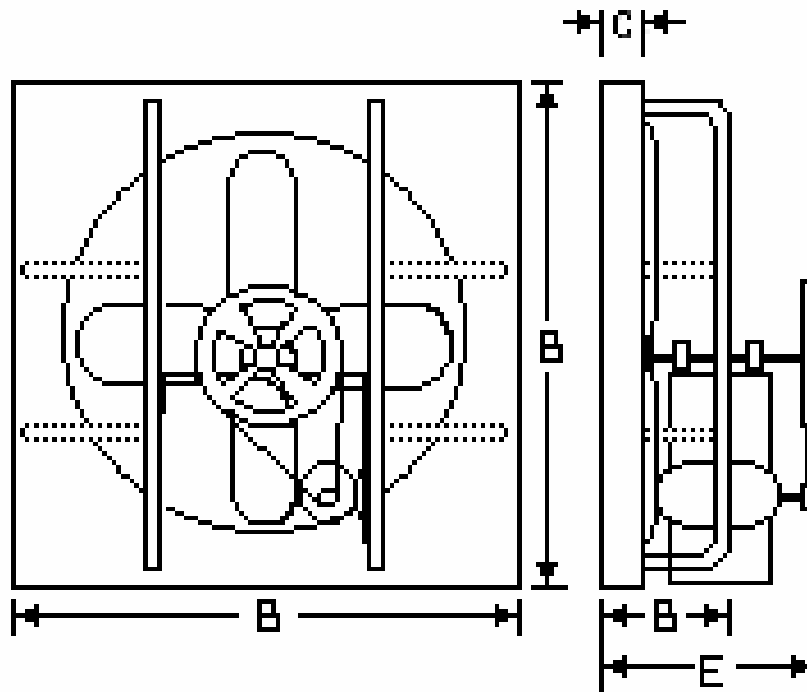
MODEL	SIZE	A	B	C	D	E
A	12	13	14.75	1.5	9.75	13
A	14	15	16.75	1.5	9.75	13
A	16	17	18.75	1.5	9.75	13
A	18	19	20.75	1.5	9.75	13.5
A	20	21	22.75	1.5	9.75	13.5
A	24	25	26.75	1.5	9.75	15
A	26	27	28.75	1.5	9.75	15
C	10	11	13	1	4.25	4.75
C	12	13	15	1	4.75	5.25

DIMENSIONS SHOULD NOT BE USED FOR CONSTRUCTION UNLESS CERTIFIED.
MANUFACTURER MAY MAKE IMPROVEMENTS CHANGES WITHOUT NOTICE

DIMENSIONS

B SERIES PANEL FAN

PAGE D2

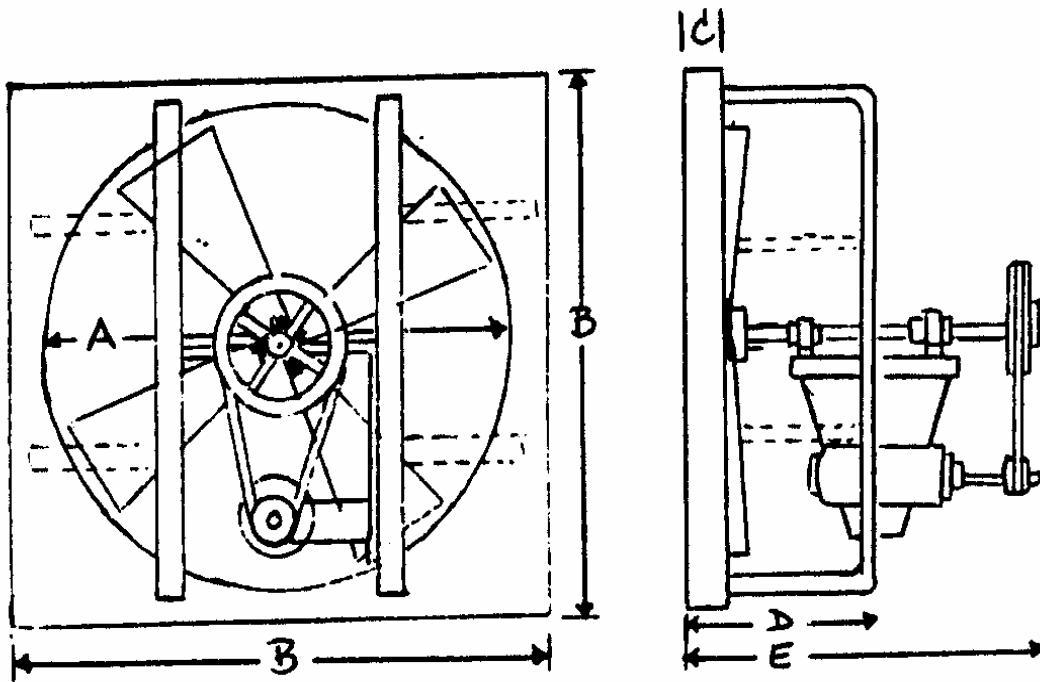


MODEL	SIZE	A	B	C	D	E
B	24	25	26.75	1.5	11.25	17.5
B	30	31	32.75	1.5	11.25	17.5
B	36	37	38.75	1.5	12	18.5
B	42	43	44.75	1.5	13.5	20
B	48	49	50.75	1.5	14	22

DIMENSIONS

B SERIES PANEL FAN

PAGE D2



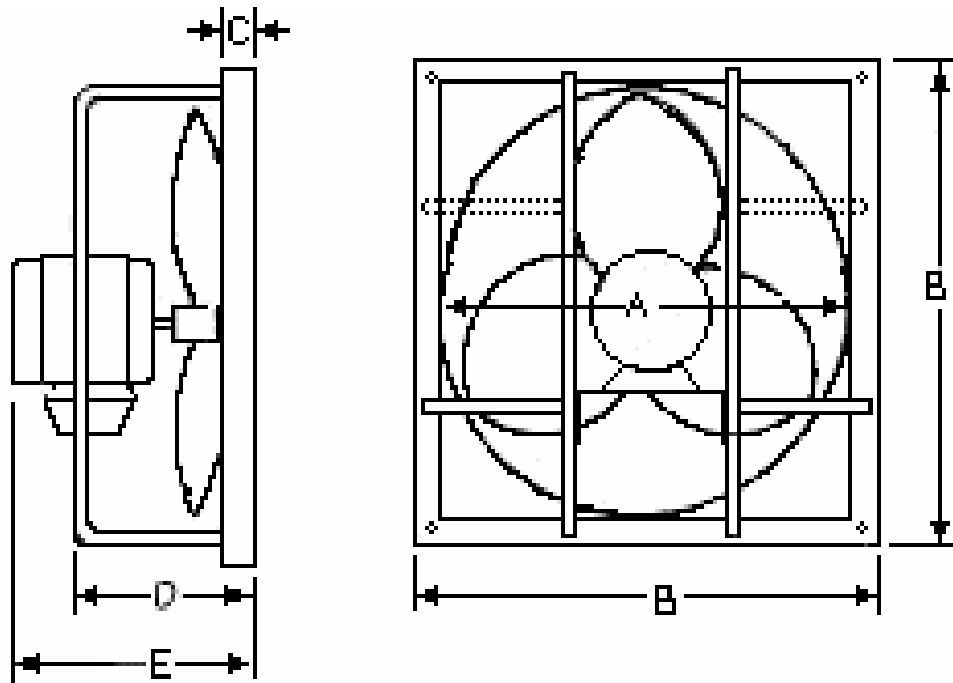
MODEL	SIZE	A	B	C	D	E
B	24	25	26.75	1.5	11.25	17.5
B	30	31	32.75	1.5	11.25	17.5
B	36	37	38.75	1.5	12	18.5
B	42	43	44.75	1.5	13.5	20
B	48	49	50.75	1.5	14	22

DIMENSIONS SHOULD NOT BE USED FOR CONSTRUCTION UNLESS CERTIFIED. MANUFACTURER MAY MAKE IMPROVEMENTS CHANGES WITHOUT NOTICE

DIMENSIONS

D SERIES PANEL FAN

PAGE D3



MODEL	SIZE	A	B	C	D	E
D	24	25	29	2	8.5	*
D	30	31	35	2	8.5	*
D	36	37	41	2	10.5	*
D	42	43	47	2	*	*

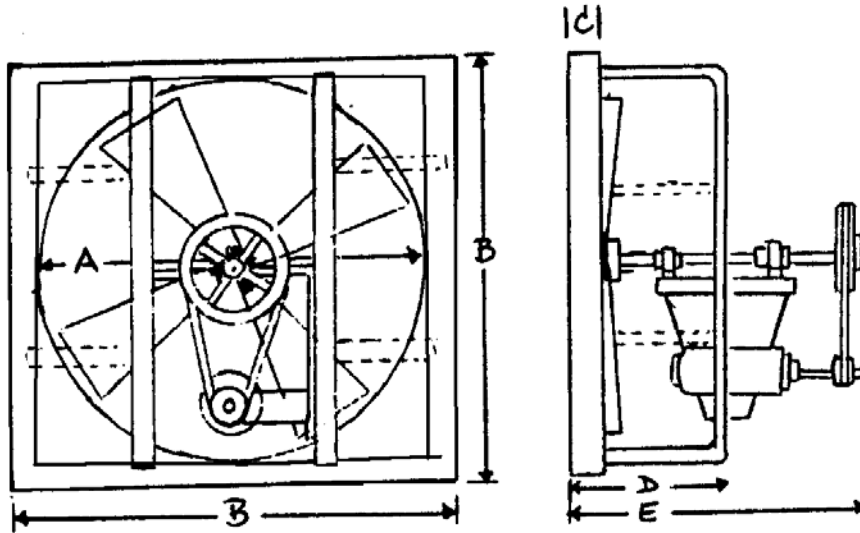
* DIMENSION CHANGES DO TO MOTOR BEING USED CONTACT FACTORY FOR DIMENSION

DIMENSIONS SHOULD NOT BE USED FOR CONSTRUCTION UNLESS CERTIFIED. MANUFACTURER MAY MAKE IMPROVEMENTS CHANGES WITHOUT NOTICE

DIMENSIONS

H SERIES PANEL FAN

PAGE D4



MODEL	SIZE	A	B	C	D	E
H	24	25	29	2	9	18
H	30	31	35	2	9	18
H	36	37	41	2	11	18
H	42	43	47	2	11	19
H	48	49	52	2	*	*
H	56	57	61	2	*	*
H	60	61	65	2	*	*

* DIMENSION CHANGES DO TO MOTOR BEING USED CONTACT FACTORY FOR DIMENSION

DIMENSIONS SHOULD NOT BE USED FOR CONSTRUCTION UNLESS CERTIFIED. MANUFACTURER MAY MAKE IMPROVEMENTS CHANGES WITHOUT NOTICE

SITE INDEX**APPROVAL SHEETS**

A & C SERIES PANEL FAN	A1
B SERIES PANEL FAN	A2
D SERIES PANEL FAN	A3
H SERIES PANEL FAN	A4
AUTOMATIC SHUTTERS 10" TO 24"	A5
AUTOMATIC SHUTTERS 30" TO 60"	A6
ROOF EXHAUSTERS (PENTHOUSE TYPE)	A7
ELECTRIC UNIT HEATERS	A9

DIMENSIONS

A & C SERIES PANEL FAN	D1
B SERIES PANEL FAN	D2
D SERIES PANEL FAN	D3
H SERIES PANEL FAN	D4

PERFORMANCE

DIRECT DRIVE	P1
BELT DRIVEN	P2
BELT DRIVEN	P3
DIRECT DRIVE HEAVY DUTY	P4
BELT DRIVEN HEAVY DUTY	P5
PENTHOUSE DIRECT DRIVE	P6
PENTHOUSE BELT DRIVE	P7
PENTHOUSE BELT DRIVE	P8
PENTHOUSE HEAVY DUTY	P9

CONTENT CHECK

PAGE 99

BROCHURES

- ◇ LECO FAN BROCHURE
- ◇ LECO HEATER BROCHURE
- ◇ SPACEWIDE BROCHURE

PRICING

- ◇ A&C SERIES PAGE P1
- ◇ B SERIES PAGE P2
- ◇ B SERIES PAGE P3
- ◇ D & H SERIES PAGE P4

APPROVAL

- ◇ A & C SERIES PAGE A1
- ◇ B SERIES PAGE A2
- ◇ D SERIES PAGE A3
- ◇ H SERIES PAGE A4
- ◇ 10" - 24" SHUTTERS PAGE A5
- ◇ 30" - 60" SHUTTERS PAGE A6
- ◇ PA SERIES ROOF EXHAUSTERS PAGE A7
- ◇ HEATERS PAGE A9

- ◇

PERFORMANCE

- ◇ DIRECT DRIVE PAGE P1

PERFORMANCE

LECO EXHAUST FANS

PAGE P1

DIRECT DRIVE

MODEL NO.	FAN		FAN SPEED	CFM at S.P. in "W.G."						
	DIA.	H.P.		0"	.125"	.25"	.375"	.5"	.75"	1.0"
7AX	7"	9W	1550	200	130	O/L	O/L	O/L	O/L	O/L
7AX-16	7"	16W	1550	200	130	90	30	O/L	O/L	O/L
C109	10"	9W	1450	600	500	50	O/L	O/L	O/L	O/L
C1016	10"	16W	1550	650	550	150	O/L	O/L	O/L	O/L
C129	12"	9W	1140	500	250	O/L	O/L	O/L	O/L	O/L
C1216	12"	16W	1500	750	500	150	O/L	O/L	O/L	O/L
AL1214-	12"	1/4	1725	920	800	700	400	300	100	Stall
A1214-	12"	1/4	1725	1350	1250	1100	700	650	400	150
A1414-	14"	1/4	1725	2150	2000	1800	1600	O/L	O/L	O/L
A1413-	14"	1/3	1725	2150	2000	1800	1600	1200	1000	700
A1614-	16"	1/4	1725	2500	2400	2200	O/L	O/L	O/L	O/L
A1613-	16"	1/3	1725	2500	2400	2200	2000	1600	1300	1100
A1814-	18"	1/4	1725	2800	2700	2500	O/L	O/L	O/L	O/L
A1813-	18"	1/3	1725	2800	2700	2500	2400	2200	O/L	O/L
A2013-	20"	1/3	1725	3500	3400	3300	O/L	O/L	O/L	O/L
AL2012-	20"	1/2	1725	3500	3400	3300	3100	2900	O/L	O/L
AH2012-	20"	1/2	1725	4200	4100	4000	O/L	O/L	O/L	O/L
AM1216-	12"	1/6	1140	900	650	400	200	O/L	O/L	O/L
AM1416-	14"	1/6	1140	1400	1200	800	600	340	O/L	O/L
AM1616-	16"	1/6	1140	1600	1400	1000	800	600	O/L	O/L
AM1816-	18"	1/6	1140	1800	1700	1300	900	700	O/L	O/L
AM2016-	20"	1/6	1140	2300	2100	1800	1300	O/L	O/L	O/L
AM2014-	20"	1/4	1140	2300	2100	1800	1300	1100	600	O/L
AM2413-	24"	1/3	1140	4700	4300	3900	O/L	O/L	O/L	O/L
AM2412-	24"	1/2	1140	5400	5000	4600	O/L	O/L	O/L	O/L
AM2434-	24"	3/4	1140	6200	5700	5200	4600	O/L	O/L	O/L

NOTE: - SPECIFY VOLTAGE AND PHASE WHEN ORDERING.
- FANS ALSO AVAILABLE WITH EXPLOSION PROOF MOTORS.

PERFORMANCE

LECO EXHAUST FANS

PAGE P2

BELT DRIVEN

MODEL NO.	FAN DIA.	H.P.	FAN SPEED	CFM at S.P. in "W.G."						
				0"	.125"	.25"	.375"	.5"	.75"	1.0"
BH2414-	24"	1/4	800	4400	3800	O/L	O/L	O/L	O/L	O/L
BL2414-	24"	1/4	700	3800	3200	2400	1600	1000	O/L	O/L
BH2413-	24"	1/3	900	4800	4300	O/L	O/L	O/L	O/L	O/L
BM2413-	24"	1/3	800	4400	3800	2800	2000	1400	O/L	O/L
BL2413-	24"	1/3	700	3800	3200	2400	1600	1000	200	O/L
BH2412-	24"	1/2	1000	5300	4800	4300	O/L	O/L	O/L	O/L
BM2412-	24"	1/2	900	4800	4300	3400	2400	1800	O/L	O/L
BL2412-	24"	1/2	800	4400	3800	2800	2000	1400	600	O/L
BH2434-	24"	3/4	1170	6300	6000	5300	O/L	O/L	O/L	O/L
BM2434-	24"	3/4	1100	5800	5500	4700	3800	2800	O/L	O/L
BL2434-	24"	3/4	1000	5300	4800	4300	3100	2600	1800	1000
BH2410-	24"	1	1280	7000	6500	6000	O/L	O/L	O/L	O/L
BM2410-	24"	1	1200	6500	6000	5500	5000	3800	O/L	O/L
BL2410-	24"	1	1140	6100	5700	5200	4600	3500	2700	1800
BH3013-	30"	1/3	630	6700	5400	4500	O/L	O/L	O/L	O/L
BL3013-	30"	1/3	480	5000	4500	3000	2000	1200	200	O/L
BH3012-	30"	1/2	700	7400	6600	4300	O/L	O/L	O/L	O/L
BM3012-	30"	1/2	630	6700	5400	4500	3200	2500	O/L	O/L
BL3012-	30"	1/2	530	5600	4800	3300	2400	1600	500	O/L
BH3034-	30"	3/4	800	8800	8300	6700	O/L	O/L	O/L	O/L
BM3034-	30"	3/4	730	7700	7000	5800	4000	3000	O/L	O/L
BL3034-	30"	3/4	610	6500	5800	4500	3000	2300	1000	O/L
BH3010-	30"	1	900	9500	9000	7800	O/L	O/L	O/L	O/L
BM3010-	30"	1	850	9000	8300	7600	6500	4500	O/L	O/L
BL3010-	30"	1	720	7600	6800	5700	3700	3000	1800	800
BH3015-	30"	1.5	1050	11000	10500	9500	O/L	O/L	O/L	O/L
BM3015-	30"	1.5	1000	10500	10000	9500	8700	7800	O/L	O/L
BL3015-	30"	1.5	860	9000	8500	7500	6500	4500	3300	2300

NOTE: THE "H","M","L" LETTERS IN THE "B" MODEL #'s REFER TO FAN SPEED AND ARE OMITTED IN THE PRICE LIST SINCE THE PRICES ARE THE SAME.

NOTE: - SPECIFY VOLTAGE AND PHASE WHEN ORDERING.
- FANS ALSO AVAILABLE WITH EXPLOSION PROOF MOTORS.

PERFORMANCE

LECO EXHAUST FANS

PAGE P3

BELT DRIVEN

MODEL NO.	FAN DIA.	H.P.	FAN SPEED	FAN CFM at S.P. in "W.G."						
				0"	.125"	.25"	.375"	.5"	.75"	1.0"
BH3612-	36"	1/2	480	9600	8000	4500	O/L	O/L	O/L	O/L
BL3612-	36"	1/2	300	6000	4500	2500	1000	O/L	O/L	O/L
BH3634-	36"	3/4	600	12000	10000	6000	O/L	O/L	O/L	O/L
BL3634-	36"	3/4	500	10000	8200	5300	3600	2200	O/L	O/L
BH3610-	36"	1	640	12800	11500	8500	O/L	O/L	O/L	O/L
BM3610-	36"	1	580	11600	10200	7500	5200	4000	O/L	O/L
BL3610-	36"	1	500	10000	8200	5300	3600	2200	200	O/L
BH3615-	36"	1.5	750	15000	13500	11500	O/L	O/L	O/L	O/L
BM3615-	36"	1.5	700	14000	12700	11300	9200	7000	O/L	O/L
BL3615-	36"	1.5	580	11600	10200	7500	5200	4000	2000	500
BH3620-	36"	2	800	16000	15000	13700	O/L	O/L	O/L	O/L
BM3620-	36"	2	750	15000	13500	12500	10500	9000	O/L	O/L
BL3620-	36"	2	700	14000	12700	11300	9200	7000	4500	2500
BH4212-	42"	1/2	380	12000	9000	4500	O/L	O/L	O/L	O/L
BL4212-	42"	1/2	320	9800	7800	4000	2000	O/L	O/L	O/L
BH4234-	42"	3/4	450	13700	10500	6000	O/L	O/L	O/L	O/L
BL4234-	42"	3/4	380	12000	9000	4500	3000	1000	O/L	O/L
BH4210-	42"	1	500	15000	13000	9000	O/L	O/L	O/L	O/L
BL4210-	42"	1	400	12000	9500	5000	3300	1300	O/L	O/L
BH4215-	42"	1.5	570	17500	16000	12000	O/L	O/L	O/L	O/L
BL4215-	42"	1.5	480	14600	12500	9500	6000	4000	1000	O/L
BH4220-	42"	2	630	19500	18000	15000	O/L	O/L	O/L	O/L
BL4220-	42"	2	500	15000	13000	9000	6700	5000	2000	O/L
BH4230-	42"	3	700	21500	20000	18500	O/L	O/L	O/L	O/L
BL4230-	42"	3	680	21000	19500	18000	15500	13000	8500	6500

NOTE: THE "H", "M", "L" LETTERS IN THE "B" MODEL #'s REFER TO FAN SPEED AND ARE OMITTED IN THE PRICE LIST SINCE THE PRICES ARE THE SAME.

NOTE: - SPECIFY VOLTAGE AND PHASE WHEN ORDERING.
- FANS ALSO AVAILABLE WITH EXPLOSION PROOF MOTORS.

PERFORMANCE

LECO EXHAUST FANS

PAGE P4

DIRECT DRIVE HEAVY DUTY

MODEL NO.	FAN DIA.	H.P.	FAN SPEED	CFM at STATIC PRESSURE to "W.G."						
				0"	.125"	.25"	.375"	.5"	.75"	1.0"
D2430-	24"	3	1725	9200	9000	8700	8200	7400	O/L	O/L
D3010-	30"	1	850	9000	8300	7500	O/L	O/L	O/L	O/L
D3015-	30"	1.5	850	9000	8300	7500	4500	2000	O/L	O/L
D3020-	30"	2	1140	12000	11500	O/L	O/L	O/L	O/L	O/L
D3030-	30"	3	1140	12000	11500	11000	10000	8000	O/L	O/L
D3620-	36"	2	850	17000	16000	O/L	O/L	O/L	O/L	O/L
D3630-	36"	3	850	17000	16000	15000	12000	8000	O/L	O/L
D4250-	42"	5	850	26000	25000	24000	O/L	O/L	O/L	O/L

MODEL NO.	FAN DIA.	H.P.	FAN SPEED	CFM at STATIC PRESSURE in "W.G."						
				0"	.125"	.25"	.375"	.5"	.75"	1.0"
HH2410-	24"	1	1280	7000	6500	6000	O/L	O/L	O/L	O/L
HM2410-	24"	1	1200	6500	6000	5500	5000	3800	O/L	O/L
HL2410-	24"	1	1140	6100	5700	5200	4600	3500	2700	1800
HH2415-	24"	1.5	1500	8000	7800	7500	O/L	O/L	O/L	O/L
HM2415-	24"	1.5	1450	7700	7500	7200	6800	6300	O/L	O/L
HL2415-	24"	1.5	1400	7500	7200	6800	6400	5800	4400	3600
HH2420-	24"	2	1650	8800	8600	8200	O/L	O/L	O/L	O/L
HM2420-	24"	2	1600	8500	8300	8000	7700	7400	O/L	O/L
HL2420-	24"	2	1550	8200	8000	7700	7000	6600	5500	4200
HH2430-	24"	3	1725	9200	9000	8700	8200	7400	O/L	O/L
HH3010-	30"	1	900	9500	9000	7800	O/L	O/L	O/L	O/L
HM3010-	30"	1	850	9000	8300	7600	6500	4500	O/L	O/L
HL3010-	30"	1	720	7600	6800	5700	3700	3000	1800	800
HH3015-	30"	1.5	1050	11000	10500	9500	O/L	O/L	O/L	O/L
HM3015-	30"	1.5	1000	10500	10000	9500	8700	7800	O/L	O/L
HL3015-	30"	1.5	860	9000	8500	7500	6500	4500	3300	2300
HH3020-	30"	2	1140	12000	11500	10500	O/L	O/L	O/L	O/L
HM3020-	30"	2	1070	11200	10800	10000	9500	9000	O/L	O/L
HL3020-	30"	2	1030	10800	10500	9800	9000	8000	5000	4000
HH3030-	30"	3	1250	13000	12700	12000	O/L	O/L	O/L	O/L
HL3030-	30"	3	1200	12600	12200	11700	11000	10500	8500	6500
HH3050-	30"	5	1450	15300	14800	14000	13500	13000	12000	10000

PERFORMANCE

LECO EXHAUST FANS

PAGE P5

BELT DRIVEN HEAVY DUTY

MODEL NO.	FAN DIA.	H.P.	FAN SPEED	CFM at STATIC PRESSURE in "W.G."						
				0"	.125"	.25"	.375"	.5"	.75"	1.0"
HH3610-	36"	1	640	12800	11500	8500	O/L	O/L	O/L	O/L
HM3610-	36"	1	580	11600	10200	7500	5200	4000	O/L	O/L
HL3610-	36"	1	500	10000	8200	5300	3600	2200	200	O/L
HH3615-	36"	1.5	750	15000	13500	11500	O/L	O/L	O/L	O/L
HM3615-	36"	1.5	700	14000	12700	11300	9200	7000	O/L	O/L
HL3615-	36"	1.5	580	11600	10200	7500	5200	4000	2000	500
HH3620-	36"	2	800	16000	15000	13700	O/L	O/L	O/L	O/L
HM3620-	36"	2	750	15000	13500	12500	10500	9000	O/L	O/L
HL3620-	36"	2	700	14000	12700	11300	9200	7000	4500	2500
HH3630-	36"	3	900	18000	17000	16000	O/L	O/L	O/L	O/L
HM3630-	36"	3	870	17400	16500	15500	14000	12500	O/L	O/L
HL3630-	36"	3	840	16800	15700	14500	13000	11500	8000	6000
HH3650-	36"	5	1050	21000	20500	19500	18500	17500	14500	11500
HH4210-	42"	1	500	15000	13000	9000	O/L	O/L	O/L	O/L
HL4210-	42"	1	400	12000	9500	5000	3300	1300	O/L	O/L
HH4215-	42"	1.5	570	17500	16000	12000	O/L	O/L	O/L	O/L
HL4215-	42"	1.5	480	14600	12500	9500	6000	4000	1000	O/L
HH4220-	42"	2	630	19500	18000	15000	O/L	O/L	O/L	O/L
HL4220-	42"	2	500	15000	13000	9000	6700	5000	2000	O/L
HH4230-	42"	3	700	21500	20000	18500	O/L	O/L	O/L	O/L
HL4230-	42"	3	680	21000	19500	18000	15500	13000	8500	6500
HH4250-	42"	5	850	26000	25000	24000	O/L	O/L	O/L	O/L
HL4250-	42"	5	800	24500	23500	22500	21000	19500	16000	11000
HH4830-	48"	3	500	27000	26000	24000	20500	15500	7500	O/L
HH4850-	48"	5	600	32000	31000	30000	26000	26500	O/L	O/L
HH4875-	48"	7.5	700	38000	37500	36000	34500	33000	O/L	O/L
HH5475-	54"	7.5	515	38700	36200	28700	22300	18650	O/L	O/L
HH6050-	60"	5	450	45200	40000	31200	25200	O/L	O/L	O/L
HH6075-	60"	7.5	450	45200	40000	31200	25200	20100	O/L	O/L

PERFORMANCE

LECO ROOF EXHAUSTERS (PENTHOUSE TYPE) DIRECT DRIVE

PAGE P6

MODEL NO.	FAN DIA.	FAN H.P.	CFM at STATIC PRESSURE in "W.G."						
			SPEED	0"	.125"	.25"	.375"	.5"	.75"
PC1016	10"	16W	1550	550	150	O/L	O/L	O/L	O/L
PC1216	12"	16W	1500	500	150	O/L	O/L	O/L	O/L
PAL1214-	12"	1/4	1725	800	700	400	300	100	Stall
PA1214-	12"	1/4	1725	1250	1100	700	650	400	150
PA1414-	14"	1/4	1725	2000	1800	1600	O/L	O/L	O/L
PA1413-	14"	1/3	1725	2000	1800	1600	1200	1000	700
PA1614-	16"	1/4	1725	2400	2200	O/L	O/L	O/L	O/L
PA1613-	16"	1/3	1725	2400	2200	2000	1600	1300	1100
PA1814-	18"	1/4	1725	2700	2500	O/L	O/L	O/L	O/L
PA1813-	18"	1/3	1725	2700	2500	2400	2200	O/L	O/L
PA2013-	20"	1/3	1725	3400	3300	O/L	O/L	O/L	O/L
PAL2012-	20"	1/2	1725	3400	3300	3100	2900	O/L	O/L
PAH2012-	20"	1/2	1725	4100	4000	O/L	O/L	O/L	O/L
PAM1216-	12"	1/6	1140	650	400	200	O/L	O/L	O/L
PAM1416-	14"	1/6	1140	1200	800	600	340	O/L	O/L
PAM1616-	16"	1/6	1140	1400	1000	800	600	O/L	O/L
PAM1816-	18"	1/6	1140	1700	1300	900	700	O/L	O/L
PAM2016-	20"	1/6	1140	2100	1800	1300	O/L	O/L	O/L
PAM2014-	20"	1/4	1140	2100	1800	1300	1100	600	O/L
PAM2413-	24"	1/3	1140	4300	3900	O/L	O/L	O/L	O/L
PAM2412-	24"	1/2	1140	5000	4600	O/L	O/L	O/L	O/L
PAM2434-	24"	3/4	1140	5700	5200	4600	O/L	O/L	O/L

NOTE: - SPECIFY VOLTAGE AND PHASE WHEN ORDERING.
- FANS ALSO AVAILABLE WITH EXPLOSION PROOF MOTORS.

PERFORMANCE

LECO ROOF EXHAUSTERS (PENTHOUSE TYPE) BELT DRIVEN

PAGE P7

MODEL NO.	FAN DIA.	H.P.	FAN SPEED	CFM at S.P. in "W.G."					
				0"	.125"	.25"	.375"	.5"	.75"
PBH2414-	24"	1/4	800	3800	O/L	O/L	O/L	O/L	O/L
PBL2414-	24"	1/4	700	3200	2400	1600	1000	O/L	O/L
PBH2413-	24"	1/3	900	4300	O/L	O/L	O/L	O/L	O/L
PBM2413	24"	1/3	800	3800	2800	2000	1400	O/L	O/L
-									
PBL2413-	24"	1/3	700	3200	2400	1600	1000	200	O/L
PBH2412-	24"	1/2	1000	4800	4300	O/L	O/L	O/L	O/L
PBM2412	24"	1/2	900	4300	3400	2400	1800	O/L	O/L
-									
PBL2412-	24"	1/2	800	3800	2800	2000	1400	600	O/L
PBH2434-	24"	3/4	1170	6000	5300	O/L	O/L	O/L	O/L
PBM2434	24"	3/4	1100	5500	4700	3800	2800	O/L	O/L
-									
PBL2434-	24"	3/4	1000	4800	4300	3100	2600	1800	1000
PBH2410-	24"	1	1280	6500	6000	O/L	O/L	O/L	O/L
PBM2410	24"	1	1200	6000	5500	5000	3800	O/L	O/L
-									
PBL2410-	24"	1	1140	5700	5200	4600	3500	2700	1800
PBH3013-	30"	1/3	630	5400	4500	O/L	O/L	O/L	O/L
PBL3013-	30"	1/3	480	4500	3000	2000	1200	200	O/L
PBH3012-	30"	1/2	700	6600	4300	O/L	O/L	O/L	O/L
PBM3012	30"	1/2	630	5400	4500	3200	2500	O/L	O/L
-									
PBL3012-	30"	1/2	530	4800	3300	2400	1600	500	O/L
PBH3034-	30"	3/4	800	8300	6700	O/L	O/L	O/L	O/L
PBM3034	30"	3/4	730	7000	5800	4000	3000	O/L	O/L
-									
PBL3034-	30"	3/4	610	5800	4500	3000	2300	1000	O/L
PBH3010-	30"	1	900	9000	7800	O/L	O/L	O/L	O/L
PBM3010	30"	1	850	8300	7600	6500	4500	O/L	O/L
-									
PBL3010-	30"	1	720	6800	5700	3700	3000	1800	800
PBH3015-	30"	1.5	1050	10500	9500	O/L	O/L	O/L	O/L
PBM3015	30"	1.5	1000	10000	9500	8700	7800	O/L	O/L
-									
PBL3015-	30"	1.5	860	8500	7500	6500	4500	3300	2300

NOTE: THE "H","M","L" LETTERS IN THE "B" MODEL #'s REFER TO FAN SPEED AND ARE OMITTED IN THE PRICE LIST SINCE THE PRICES ARE THE

PERFORMANCE

LECO ROOF EXHAUSTERS (PENTHOUSE TYPE) BELT DRIVEN

PAGE P8

MODEL NO.	FAN DIA.	H.P.	FAN SPEED	CFM at S.P. in "W.G."					
				0.0"	.125"	.25"	.375"	.5"	.75"
PBH3612-	36"	1/2	480	8000	4500	O/L	O/L	O/L	O/L
PBL3612-	36"	1/2	300	4500	2500	1000	O/L	O/L	O/L
PBH3634-	36"	3/4	600	10000	6000	O/L	O/L	O/L	O/L
PBL3634-	36"	3/4	500	8200	5300	3600	2200	O/L	O/L
PBH3610-	36"	1	640	11500	8500	O/L	O/L	O/L	O/L
PBM3610-	36"	1	580	10200	7500	5200	4000	O/L	O/L
PBL3610-	36"	1	500	8200	5300	3600	2200	200	O/L
PBH3615-	36"	1.5	750	13500	11500	O/L	O/L	O/L	O/L
PBM3615-	36"	1.5	700	12700	11300	9200	7000	O/L	O/L
PBL3615-	36"	1.5	580	10200	7500	5200	4000	2000	500
PBH3620-	36"	2	800	15000	13700	O/L	O/L	O/L	O/L
PBM3620-	36"	2	750	13500	12500	10500	9000	O/L	O/L
PBL3620-	36"	2	700	12700	11300	9200	7000	4500	2500
PBH4212-	42"	1/2	380	9000	4500	O/L	O/L	O/L	O/L
PBL4212-	42"	1/2	320	7800	4000	2000	O/L	O/L	O/L
PBH4234-	42"	3/4	450	10500	6000	O/L	O/L	O/L	O/L
PBL4234-	42"	3/4	380	9000	4500	3000	1000	O/L	O/L
PBH4210-	42"	1	500	13000	9000	O/L	O/L	O/L	O/L
PBL4210-	42"	1	400	9500	5000	3300	1300	O/L	O/L
PBH4215-	42"	1.5	570	16000	12000	O/L	O/L	O/L	O/L
PBL4215-	42"	1.5	480	12500	9500	6000	4000	1000	O/L
PBH4220-	42"	2	630	18000	15000	O/L	O/L	O/L	O/L
PBL4220-	42"	2	500	13000	9000	6700	5000	2000	O/L
PBH4230-	42"	3	700	20000	18500	O/L	O/L	O/L	O/L
PBL4230-	42"	3	680	19500	18000	15500	13000	8500	6500

NOTE: THE "H","M","L" LETTERS IN THE "B" MODEL #'s REFER TO FAN SPEED AND ARE OMITTED IN THE PRICE LIST SINCE THE PRICES ARE THE SAME.

NOTE: - SPECIFY VOLTAGE AND PHASE WHEN ORDERING.
- FANS ALSO AVAILABLE WITH EXPLOSION PROOF MOTORS.

PERFORMANCE

LECO ROOF EXHAUSTERS

PAGE P9

PENTHOUSE TYPE)

DIRECT DRIVE HEAVY DUTY

MODEL NO.	FAN DIA.	H.P.	FAN SPEED	CFM at S.P. in "W.G."					
				0"	.125"	.25"	.375"	.5"	.75"
PD2430-	24"	3	1725	9000	8700	8200	7400	O/L	O/L
PD3010-	30"	1	850	8300	7500	O/L	O/L	O/L	O/L
PD3015-	30"	1.5	850	8300	7500	4500	2000	O/L	O/L
PD3020-	30"	2	1140	11500	O/L	O/L	O/L	O/L	O/L
PD3030-	30"	3	1140	11500	11000	10000	8000	O/L	O/L
PD3620-	36"	2	850	16000	O/L	O/L	O/L	O/L	O/L
PD3630-	36"	3	850	16000	15000	12000	8000	O/L	O/L
PD4250-	42"	5	850	25000	24000	O/L	O/L	O/L	O/L

BELT DRIVEN HEAVY DUTY

MODEL NO.	FAN DIA.	H.P.	FAN SPEED	CFM at S.P. in "W.G."					
				0"	.125"	.25"	.375"	.5"	.75"
PHH2410-	24"	1	1280	6500	6000	O/L	O/L	O/L	O/L
PHM2410-	24"	1	1200	6000	5500	5000	3800	O/L	O/L
PHL2410-	24"	1	1140	5700	5200	4600	3500	2700	1800
PHH2415-	24"	1.5	1500	7800	7500	O/L	O/L	O/L	O/L
PHM2415-	24"	1.5	1450	7500	7200	6800	6300	O/L	O/L
PHL2415-	24"	1.5	1400	7200	6800	6400	5800	4400	3600
PHH2420-	24"	2	1650	8600	8200	O/L	O/L	O/L	O/L
PHM2420-	24"	2	1600	8300	8000	7700	7400	O/L	O/L
PHL2420-	24"	2	1550	8000	7700	7000	6600	5500	4200
PHH2430-	24"	3	1725	9000	8700	8200	7400	O/L	O/L
PHH3010-	30"	1	900	9000	7800	O/L	O/L	O/L	O/L
PHM3010-	30"	1	850	8300	7600	6500	4500	O/L	O/L
PHL3010-	30"	1	720	6800	5700	3700	3000	1800	800
PHH3015-	30"	1.5	1050	10500	9500	O/L	O/L	O/L	O/L
PHM3015-	30"	1.5	1000	10000	9500	8700	7800	O/L	O/L
PHL3015-	30"	1.5	860	8500	7500	6500	4500	3300	2300
PHH3020-	30"	2	1140	11500	10500	O/L	O/L	O/L	O/L
PHM3020-	30"	2	1070	10800	10000	9500	9000	O/L	O/L
PHL3020-	30"	2	1030	10500	9800	9000	8000	5000	4000
PHH3030-	30"	3	1250	12700	12000	O/L	O/L	O/L	O/L
PHL3030-	30"	3	1200	12200	11700	11000	10500	8500	6500
PHH3050-	30"	5	1450	14800	14000	13500	13000	12000	10000

PERFORMANCE

LECO ROOF EXHAUSTERS PENTHOUSE TYPE) BELT DRIVE HEAVY DUTY

PAGE P10

MODEL NO.	FAN DIA.	H.P.	FAN SPEED	CFM at S.P. in "W.G."					
				0"	.125"	.25"	.375"	.5"	.75"
PHH3610-	36"	1	640	11500	8500	O/L	O/L	O/L	O/L
PHM3610-	36"	1	580	10200	7500	5200	4000	O/L	O/L
PHL3610-	36"	1	500	8200	5300	3600	2200	200	O/L
PHH3615-	36"	1.5	750	13500	11500	O/L	O/L	O/L	O/L
PHM3615-	36"	1.5	700	12700	11300	9200	7000	O/L	O/L
PHL3615-	36"	1.5	580	10200	7500	5200	4000	2000	500
PHH3620-	36"	2	800	15000	13700	O/L	O/L	O/L	O/L
PHM3620-	36"	2	750	13500	12500	10500	9000	O/L	O/L
PHL3620-	36"	2	700	12700	11300	9200	7000	4500	2500
PHH3630-	36"	3	900	17000	16000	O/L	O/L	O/L	O/L
PHM3630-	36"	3	870	16500	15500	14000	12500	O/L	O/L
PHL3630-	36"	3	840	15700	14500	13000	11500	8000	6000
PHH3650-	36"	5	1050	20500	19500	18500	17500	14500	11500
PHH4210-	42"	1	500	13000	9000	O/L	O/L	O/L	O/L
PHL4210-	42"	1	400	9500	5000	3300	1300	O/L	O/L
PHH4215-	42"	1.5	570	16000	12000	O/L	O/L	O/L	O/L
PHL4215-	42"	1.5	480	12500	9500	6000	4000	1000	O/L
PHH4220-	42"	2	630	18000	15000	O/L	O/L	O/L	O/L
PHL4220-	42"	2	500	13000	9000	6700	5000	2000	O/L
PHH4230-	42"	3	700	20000	18500	O/L	O/L	O/L	O/L
PHL4230-	42"	3	680	19500	18000	15500	13000	8500	6500
PHH4250-	42"	5	850	25000	24000	O/L	O/L	O/L	O/L
PHL4250-	42"	5	800	23500	22500	21000	19500	16000	11000
PHH4830-	48"	3	500	27000	24000	20500	15500	7500	O/L
PHH4850-	48"	5	600	32000	30000	26000	26500	O/L	O/L
PHH4875-	48"	7.5	700	37500	36000	34500	33000	O/L	O/L
PHH5475-	54"	7.5	515	36200	28700	22300	18650	O/L	O/L
PHH6050-	60"	5	450	40000	31200	25200	O/L	O/L	O/L
PHH6075-	60"	7.5	450	40000	31200	25200	20100	O/L	O/L

NOTE: THE "H", "M", "L" LETTERS IN THE "B" MODEL #'s REFER TO FAN SPEED AND ARE OMITTED IN THE PRICE LIST SINCE THE PRICES ARE THE SAME.